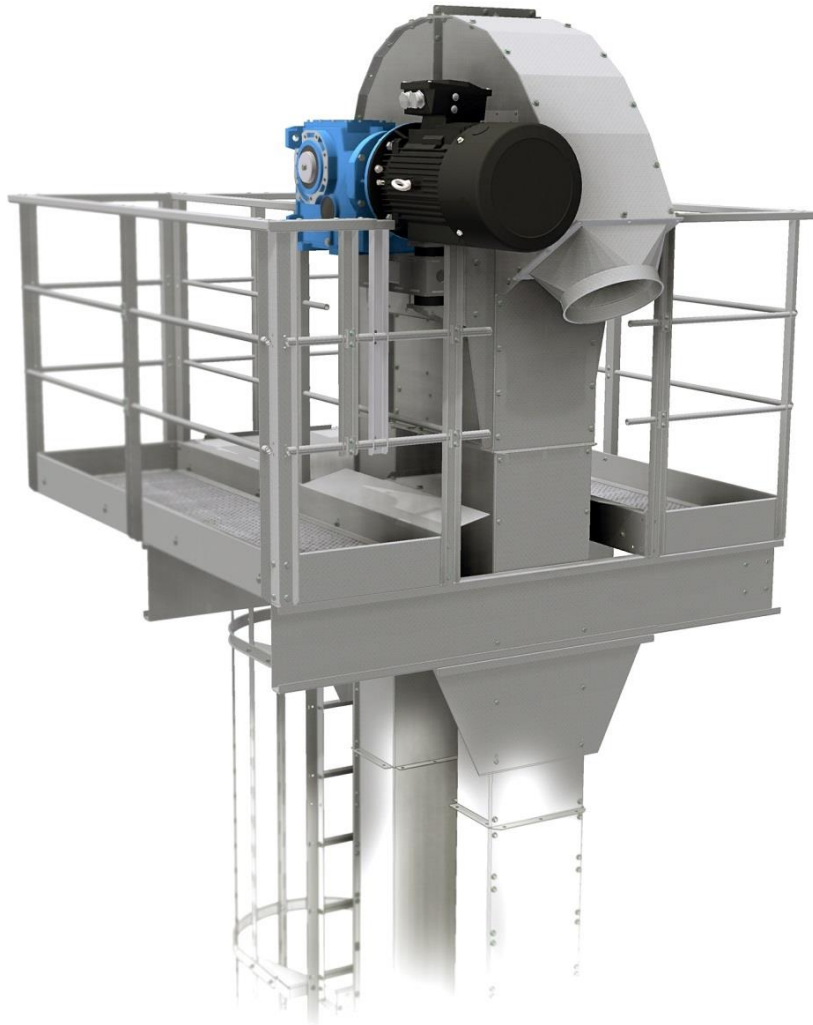




PRODUCT SURVEY



SKIOLD MAKES THE DIFFERENCE!

Bucket Elevator

D133-D200S-D260S-D320S-D420S-D520S

130984003001 / REV. 4.6 / EN / AH/JJ / 21-12-2021



SKIOLDGROUP



Table of Contents

1.0 Preface.....	3
1.1 About this Product Survey.....	3
1.2 Manufacturer´s Address.....	3
2.0 Products.....	4
2.1 Piping.....	4
2.2 Elevator Head (without Gear and Motor)	6
2.3 Accessories for Elevator Head.....	10
2.4 Elevator Boot	14
2.5 Accessories for Elevator	20
2.6 Elevator Belt.....	24
3.0 Technical Specifications	27
4.0 Gear and Motor	29
4.1 D133.....	29
4.2 D200S	29
4.3 D260S	30
4.4 D320S	30
4.5 D420S	31
4.6 D520S.....	31

1.0 Preface

1.1 About this Product Survey

The manufacturer reserves the right to make changes due to technical developments in the data and images given in this product survey.


Reproductions, translations and copies of any kind, even of extracts, require written authorisation from the manufacturer.

This product survey is supplied with the product.

- It should be kept close at hand and remain with the equipment even if the equipment is sold.
- This guide will not be updated automatically for changes. The current version can be ordered at any time through the dealer or directly from the manufacturer.

Required Documentation:

- Manuals that are related to the product:
(It is not a complete list)

	Item number	Description
	130981003158	Bucket Elevator Manual

1.2 Manufacturer's Address

SKIOLD A/S
Kjeldgaardsvej 3
DK-9300 Sæby
Denmark

Tel: +45 99 89 88 87

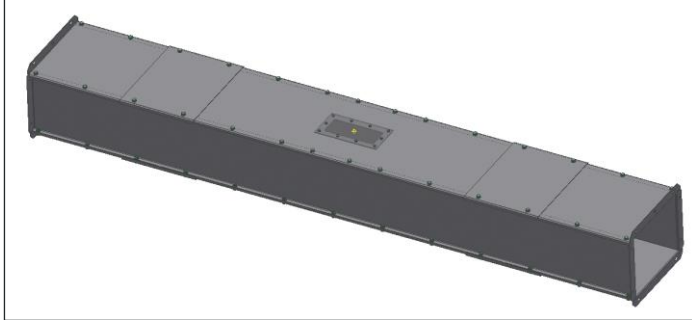
Web: www.skiold.com



2.0 Products

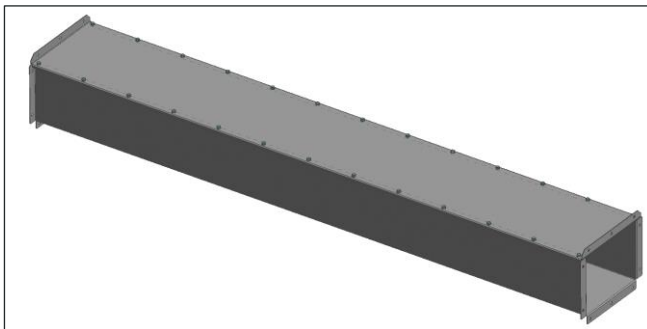
2.1 Piping

2.1.1 Inspection Pipe



Type	D133	D200S	D260S	D320S	D420S	D520S
L=2400	130001150005	130001150253	130001150256	130001150259	130001150262	130001150265
L=1950	130001150006	130001150119	130001150170	130001150101	130001150153	130001150219

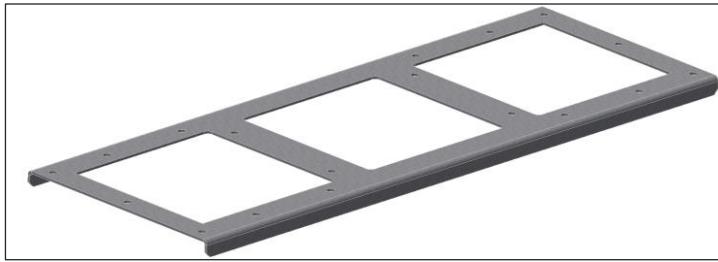
2.1.2 Elevator Pipe



Type	D133	D200S	D260S	D320S	D420S	D520S
L=2400	130001150007	130001150254	130001150257	130001150260	130001150263	130001150266
L=1950	130001150008	130001150121	130001150162	130001150103	130001150144	130001150221
L=1450	130001150009	130001150122	130001150163	130001150104	130001150145	130001150222
L=1200	130001151180	130001150123	130001150164	130001150105	130001150146	130001150223
L=2400 reinforced	-	130001150255	130001150258	130001150261	130001150264	130001150267
L=1950 reinforced	-	130001150125	130001150166	130001150110	130001150148	130001150225
L=1450 reinforced	-	130001150126	130001150167	130001150111	130001150149	130001150226
L=1200 reinforced	-	130001150127	130001150168	130001150112	130001150150	130001150227

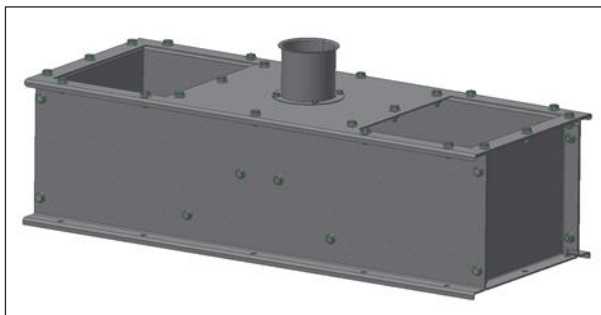
Reinforced pipes are used in the bottom at heights over 20 m.

2.1.3 Support Plate



Type	D133	D200S	D260S	D320S	D420S	D520S
Standard	130001155183	130001156364	130001156636	130001156232	130001156557	130001156778

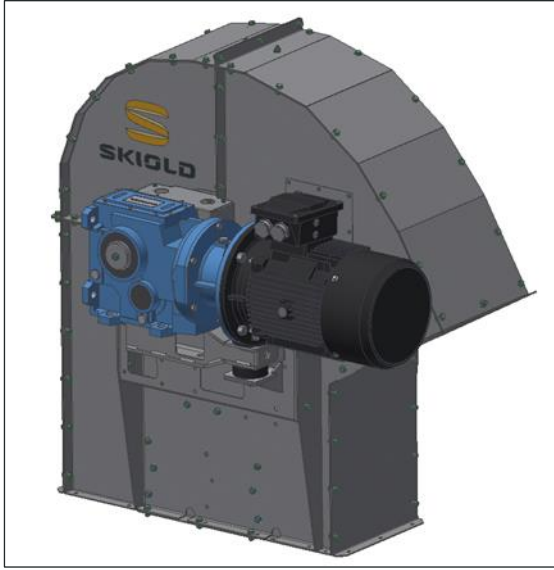
2.1.4 Dust Aspiration Connection



Type	D133	D200S	D260S	D320S	D420S	D520S
Ø80 connection	-	130001150128	130001160276	-	-	-
Ø100 connection	-	-	-	130001151445	130001150316	130001150296



2.2 Elevator Head (without Gear and Motor)



Type	R/L	D133	D200S
NMRV-P075	Right	130001150029	
	Left	130001150929	
FA37/S052	Right	130001150050	130001150129
	Left	130001150051	130001150178
FA47/S062	Right		130001150130
	Left		130001150179
FA57/S082	Right		130001150131
	Left		130001150180
FA77/S102	Right		130001150132
	Left		130001150181

"R" = Right and "L" = Left for placement of gear and motor. Motovario gear is standard

Gear type	R/L	D260S	D320S	D420S	D520S
KA67/B083	Right	130001150171			
	Left	130001150172			
KA77/B103	Right	130001150173			
	Left	130001150174			
KA87/B123	Right	130001150175	130001150066	130001150154	
	Left	130001150176	130001150068	130001150155	
KA97/B143	Right		130001150067	130001150140	130001150074
	Left		130001150069	130001150156	130001150075
KA107/B153	Right			130001150141	130001150076
	Left			130001150157	130001150077
B163	Right			130001150142	130001150078
	Left			130001150158	130001150079
2 x B153					130001150269

"R" = Right and "L" = Left for placement of gear and motor. Motovario gear is standard

2.2.1 Stainless Elevator Head with Mild Steel Pulley (excl. gear and motor)

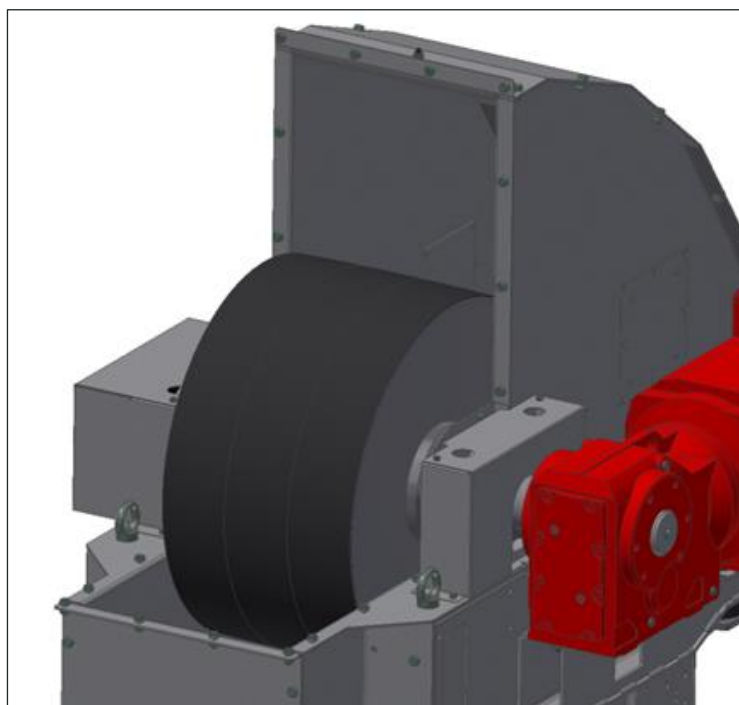
Type	R/L	D133	D200S	D260S	D320S	D420S	D520S
FA37/S052	Right	-	130001150096	-	-	-	-
	Left	-	130001150186	-	-	-	-
FA47/S062	Right	-	130001150329	-	-	-	-
	Left	-	130001150330	-	-	-	-

2.2.2 Elevator Head with mild Steel Pulley and Hardox Wear Plates on the Sides (excl. gear and motor)

Gear type	R/L	D260S	D320S	D420S	D520S
KA97/B143	Right	-	-	-	130001150305
	Left	-	-	-	130001150306
KA107/B153	Right	-	-	-	130001150307
	Left	-	-	-	130001150308
B163	Right	-	-	-	130001150309
	Left	-	-	-	130001150310
2 x B153		-	-	-	-

"R" = Right and "L" = Left for placement of gear and motor. Motovario gear is standard

2.2.3 Elevator Head with PUR Surface Treaded Pulley (excl. gear and motor)





Type	R/L	D133	D200S
NMRV-P075	Right	130001150311	
	Left	130001150312	
FA37/S052	Right	130001150313	130001150201
	Left	130001150314	130001150202
FA47/S062	Right		130001150203
	Left		130001150204
FA57/S082	Right		130001150205
	Left		130001150206
FA77/S102	Right		130001150207
	Left		130001150208

Type	R/L	D260S	D320S	D420S	D520S
KA67/B083	Right	130001150187			
	Left	130001150188			
KA77/B103	Right	130001150189			
	Left	130001150190			
KA87/B123	Right	130001150191	130001150280	130001150193	
	Left	130001150192	130001150281	130001150194	
KA97/B143	Right		130001150282	130001150195	130001150297
	Left		130001150283	130001150196	130001150298
KA107/B153	Right			130001150197	130001150299
	Left			130001150198	130001150300
B163	Right			130001150199	130001150301
	Left			130001150200	130001150302
2 x B153					130001150303

2.2.4 Elevator Head with Explosion Protection (excl. gear and motor)





Gear type	R/L	D133	D200S	D260S	D320S	D420S	D520S
NMRV-P075	Right	-	-	-	-	-	-
	Left						
FA37/S052	Right	-	130001150133	-	-	-	-
	Left		130001150182				
FA47/S062	Right	-	130001150134	-	-	-	-
	Left		130001150183				
FA57/S082	Right	-	130001150135	-	-	-	-
	Left		130001150184				
FA77/S102	Right	-	130001150136	-	-	-	-
	Left		130001150185				
KA67/B083	Right	-	-	130001150239	-	-	-
	Left			130001150240			
KA77/B103	Right	-	-	130001150241	-	-	-
	Left			130001150242			
KA87/B123	Right	-	-	130001150243	130001150065	130001150231	-
	Left			130001150244	130001150070	130001150232	
KA97/B143	Right	-	-	-	130001150071	130001150233	-
	Left				130001150072	130001150234	
KA107/B153	Right	-	-	-	-	130001150235	-
	Left					130001150236	
B163	Right	-	-	-	-	130001150237	-
	Left					130001150238	

"R" = Right and "L" = Left for placement of gear and motor. Motovario gear is standard

2.2.5 Stainless Elevator Head with Mild Steel Pulley and Explosion Protection (excl. gear and motor)

Type	R/L	D133	D200S	D260S	D320S	D420S	D520S
FA37/S052	Right	-	130001150247	-	-	-	-
	Left		130001150248				

"R" = Right and "L" = Left for placement of gear and motor. Motovario gear is standard



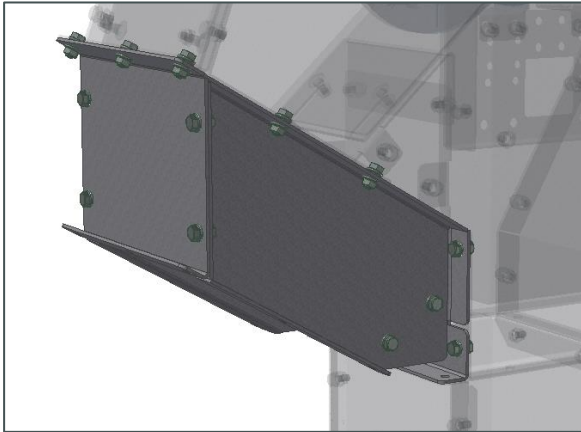
2.3 Accessories for Elevator Head

2.3.1 Outlet to Vertical



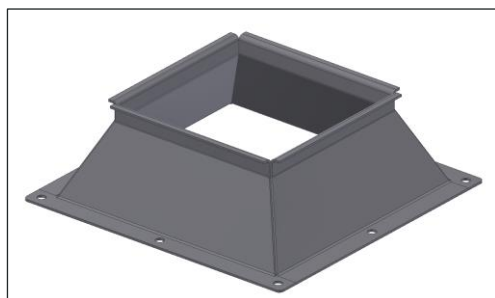
Type	D133	D200S	D260S	D320S	D420S	D520S
Standard	-	130001151561	130001151558	130001151573	130001151515	130001151602
Wear pla.	-	-	-	-	-	130001151718

2.3.2 Plates for lowering of outlet for very slow elevator



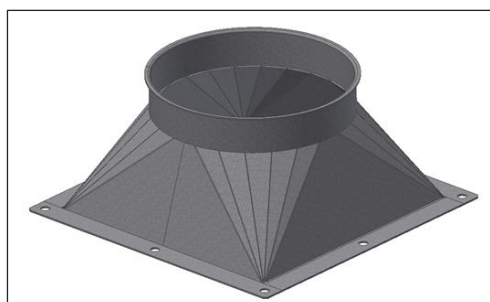
Type	D133	D200S	D260S	D320S	D420S	D520S
Standard	-	130001151751	130001151750	130001151752	-	-

2.3.3 Q-pipe Outlet



Type	D133	D200S	D260S	D320S	D420S	D520S
Q16	130001151083	130001151044				
Q20		130001151041	130001151553			
Q24			130001151554	130001151446		
Q30				130001151447	130001151520	
Q40					130001150318	130001151603

2.3.4 Jacob Pipe Outlet



Type	D133	D200S	D260S	D320S	D420S	D520S
Ø150	130001151082	130001151043				
Ø200		130001151042	130001151553			
Ø250			130001151556	130001151448		
Ø300			130001151727	130001151437		
Ø350					130001150319	

2.3.5 Stainless Jacob Pipe Outlet

Type	D133	D200S	D260S	D320S	D420S	D520S
Ø200		130001151423				

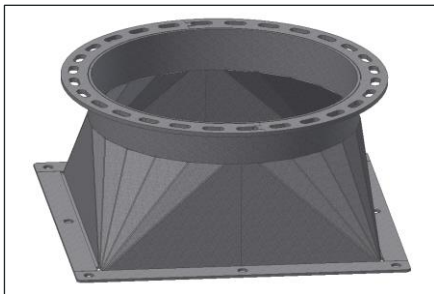


2.3.6 Stainless Jacob Pipe Outlet to Vertical



Type	D133S	D200S	D260S	D320S	D420S	D520S
Ø100		130001151467				
Ø150		130001151403				
Ø200		130001151414		-		

2.3.7 Lachenmeier Pipe Outlet



Type	D133	D200S	D260S	D320S	D420S	D520S
Ø260				130001151626		
Ø310				130001151627	130001151628	
Ø352					130001151629	

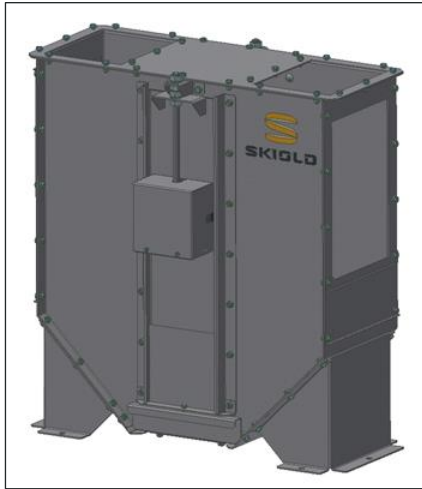
2.3.8 Rain Cover



Type	D133	D200S	D260S	D320S	D420S	D520S
Gear motor	130001151250	130001151479	130001151572	130001151436	130001151576	
Worm gear	130001150322					

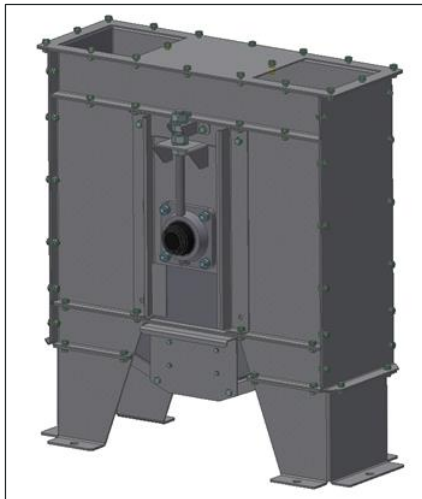


2.4 Elevator Boot



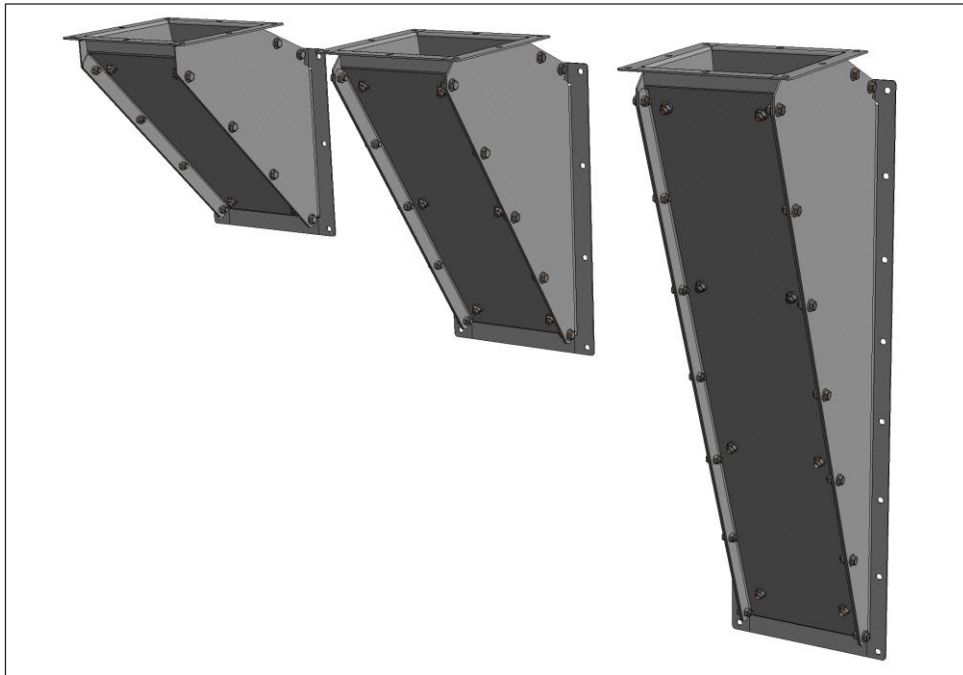
Type	D133	D200S	D260S	D320S	D420S	D520S
Standard	130001150004	130001150137	130001150160	130001150073	130001150151	130001150228
With PUR pulley	130001150273	130001150249	130001150278	130001150284		130001150295
Stainless		130001150095	130001150116	-		

2.4.1 Elevator Boot with Rounded Bottom (Clean model)



Type	D133	D200S	D260S	D320S	D420S	D520S
Rounded		130001150114	130001150177	130001150290	130001150159	
With PUR pulley		130001150250	130001150320	130001150321	130001150325	
Winged pulley		130001150292	130001150287	130001150291	130001150288	
Stainless		130001150099		-		

2.4.2 Base Inlet



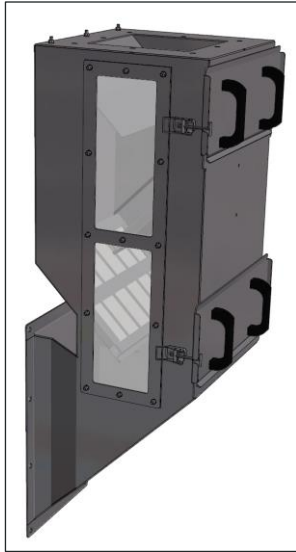
Type	D133	D200S	D260S	D320S	D420S	D520S
Standard		130001151557	130001151539	130001151585	130001151514	130001151604
Full		-	130001150293	130001150327	-	-
Wear pla.	-	-	-	-	-	130001151721
Rounded		130001151577	130001151552	130001151696	130001151528	-
Pipe mounted		130001150326	130001150294	-	-	-

2.4.3 Base Inlet Stainless

Type	D133	D200S	D260S	D320S	D420S	D520S
Standard		130001151646				
Rounded		130001151645				

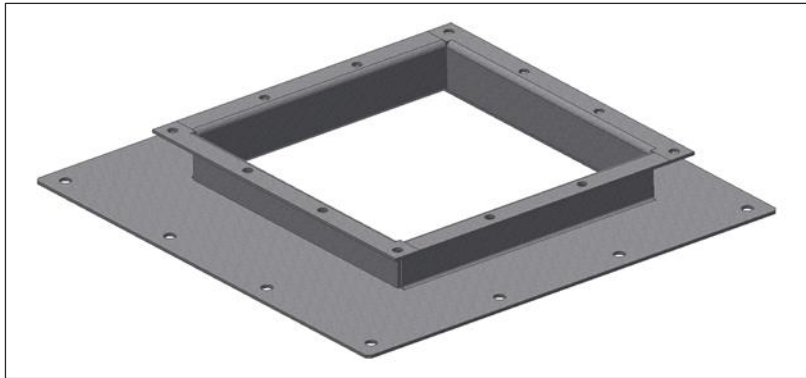


2.4.4 Stainless Inlet with Magnetic Trap



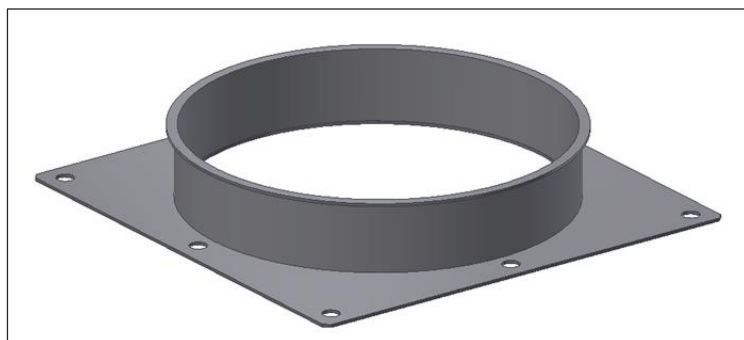
Type	D133	D200S	D260S	D320S	D420S	D520S
Standard			130001150277			
Mini		130001150324	130001150279			

2.4.5 Q-pipe Inlet



Type	D133	D200S	D260S	D320S	D420S	D520S
Q16	130001151083	130001151568				
Q20		130001151569	130001151543			
Q24			130001151542	130001151610		
Q30			130001151725	Base	130001151519	
Q40					Base	130001151605

2.4.6 Jacob Pipe Inlet



Type	D133	D200S	D260S	D320S	D420S	D520S
Ø150	130001151080	130001151570				
Ø200		130001151571	130001151544			
Ø250			130001151545			
Ø300			130001151726	130001151432		
Ø350					130001150317	

2.4.7 Stainless Jacob Pipe Inlet

Type	D133	D200S	D260S	D320S	D420S	D520S
Ø100		130001151468				
Ø150		130001151393				

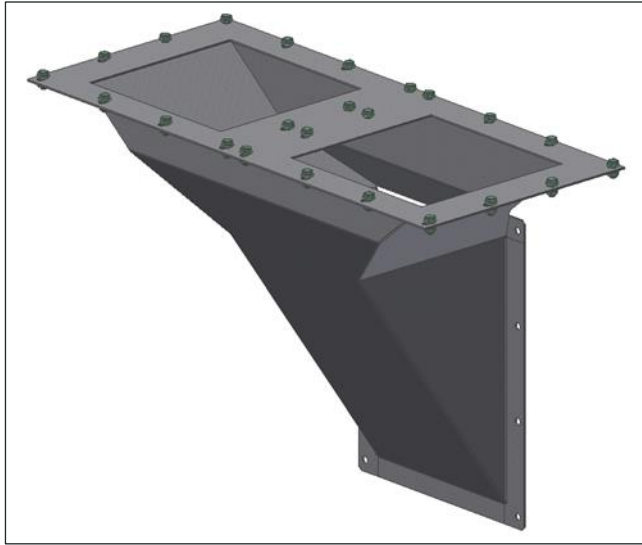
2.4.8 Lachenmeier Pipe Inlet



Type	D133	D200S	D260S	D320S	D420S	D520S
Ø260				130001151611		
Ø310				130001151623	130001151624	
Ø352					130001151625	

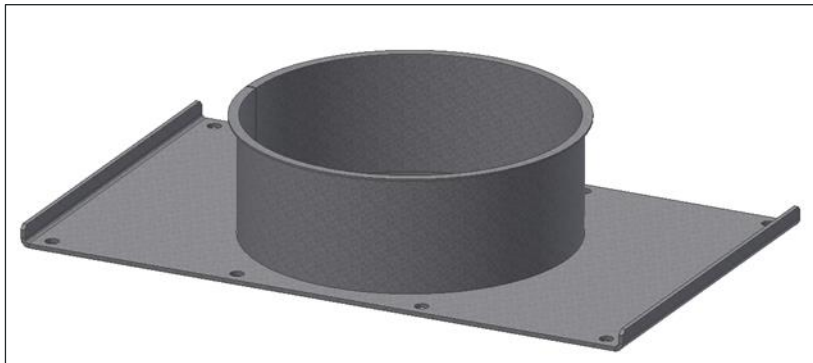


2.4.9 Double Inlet



Type	D133	D200S	D260S	D320S	D420S	D520S
Elevator boot	130001151081	130001151494	130001150268	130001151440	130001150323	

2.4.10 Direct Inlet for Elevator Boot



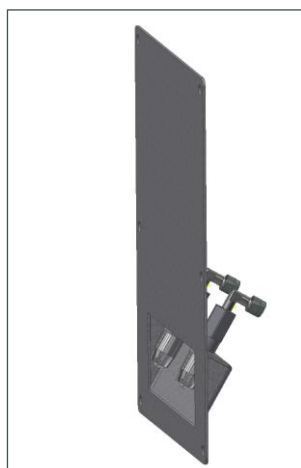
Type	D133	D200S	D260S	D320S	D420S	D520S
Ø225		130001151495	130001151683			
Ø300				130001150331		

2.4.11 Plate for Extra Inlet



Type	D133	D200S	D260S	D320S	D420S	D520S
Boot	130001151066	130001156431	130001156609	130001156190	130001156523	130001156801

2.4.12 Cleaning system

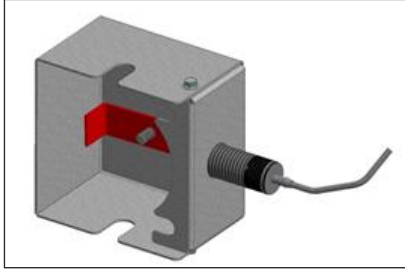


Type	D133	D200S	D260S	D320S	D420S	D520S
Rounded		130001151742	130001151744	130001151748	130001151746	130001150328



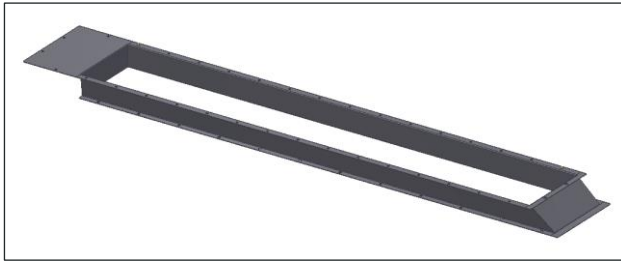
2.5 Accessories for Elevator

2.5.1 Turn Guard



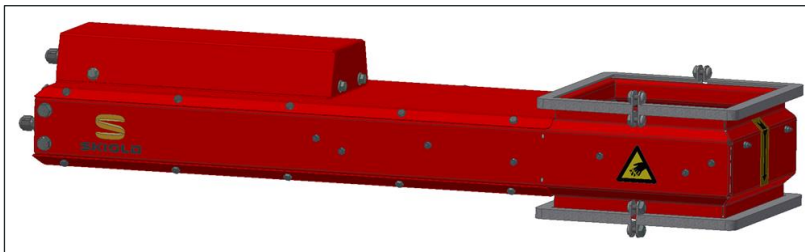
Model	D133	D200S	D260S	D320S	D420S	D520S
Standard	130001151023	130001151488	130001151566	130001151434	130001151517	130001151606
For PLC		130001151489	130001151567	130001151435	130001151518	130001151607

2.5.2 Connection for Point Filter



Type	D133	D200S	D260S	D320S	D420S	D520S
PKF 20 V	130001151197	130001151149	130001151151	130001151444	-	-
AF-C/1000/4	-	130001201047	130001201048	130001201052	130001201060	-

2.5.3 Quick Shutter for Outlet



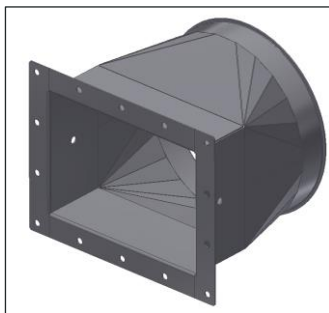
Type	Q20	Q24	Q30
Universal	130001150026	130001150094	130001150285

2.5.4 Explosion Protection for Elevator Pipe



Type	D133	D200S	D260S	D320S	D420S	D520S
Universal	130001151075	130001150138	130001150245	130001150274	130001150229	-

2.5.4.1 Explosion Protection Connection



Type	D133	D200S	D260S	D320S	D420S	D520S
Ø250	130001151144	-	-	-	-	-
Ø300	-	130001150139	130001150246	-	-	-
Ø350	-	-	-	130001150275	-	-
Ø400	-	-	-	-	130001150230	-

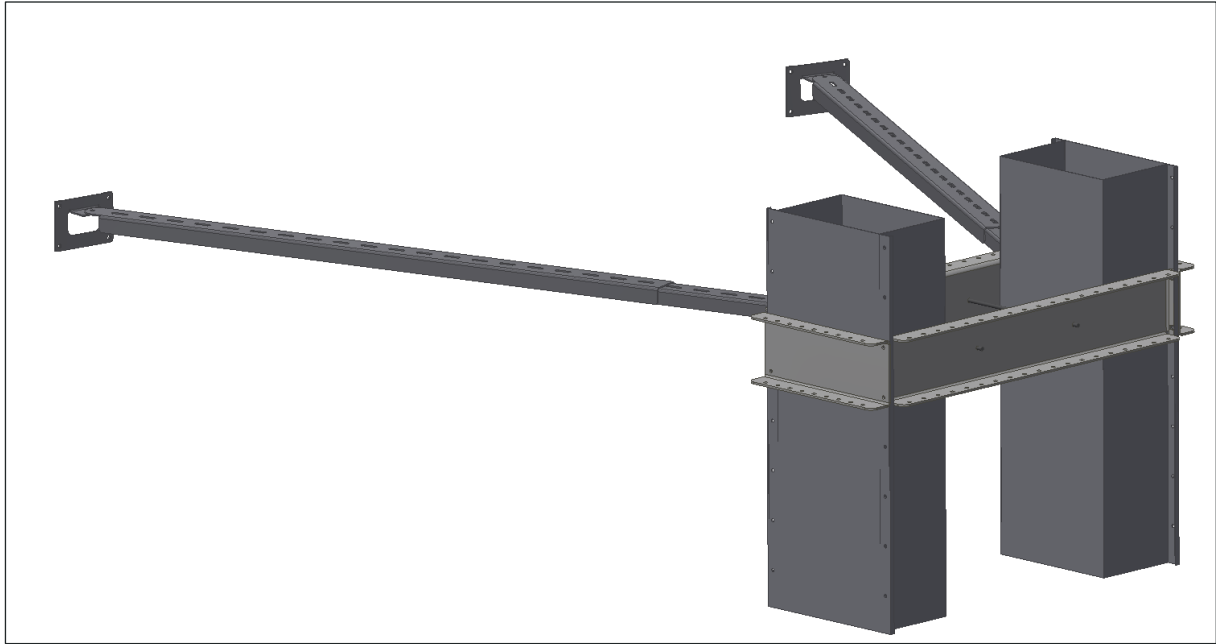
2.5.4.2 Burst Sensor



Model	D133	D200S	D260S	D320S	D420S	D520S
All	130002380004					

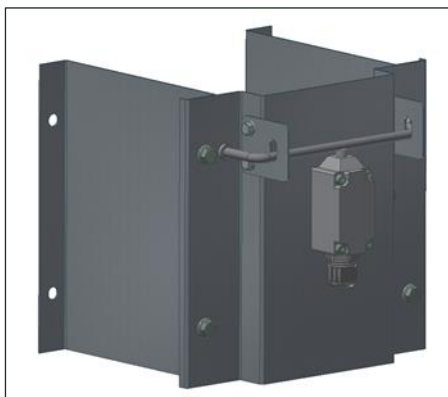


2.5.5 Silo Support



Model	D133	D200S	D260S	D320S	D420S	D520S
Assembled		130001151199	130001151200	130001151670	130001151641	130001151642
Plate 1	-	130001155606	130001155611	130001157048	130001156947	130001156945
Plate 2	-	130001155607	130001155607	130001157049	130001156948	130001156946

2.5.6 Belt Alignment System



Model	D133	D200S	D260S	D320S	D420S	D520S
Universal	130001151184	130001151185	130001151186	130001150272	130001151614	-

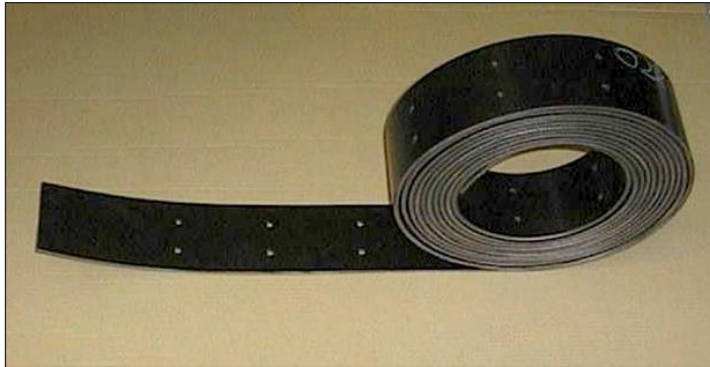
2.5.7 Overflow Sensor



Model	D133	D200S	D260S	D320S	D420S	D520S
Universal	130001151188	130001151189	130001151190	130001150271	-	130001150315



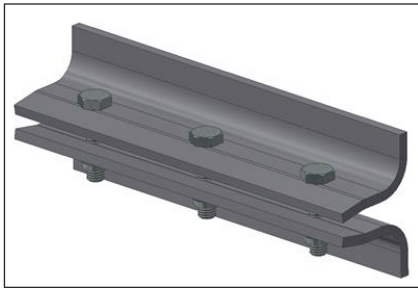
2.6 Elevator Belt



Buckets /m	D133	D200S	D260S	D260S DM	D320S
3		130002825018			
4					
4.5					130002825015
5					
5.5			130002825008	130002825028	
6					130002825017
6.5		130002825005			
7			130002825009		130002825016
7,5		130002825027			
8		130002825006			
8.5			130002825010		
9	130002825000				
10	130002825030				
10.5		130002825007			
13	130002825001				
14		130002825004			

Buckets /m	D320S plastic	D420S	D420S plastic	D520S	D520S Seed
3				130002825022	
4		130002825019		130002825023	130002825024
5	130002825029			130002825014	
5.5		130002825020			
6.5		130002825021	130002825026		
7	130002825025				

2.6.1 Belt Assembling Set



Model	D133	D200S	D260S	D320S
Standard	130001151129	130001151131	130001151132	130001151438
Stainless		130001151421		
Two-piece	-	-	130001151203	-

Model	D420S	D520S
Standard	130001151564	130001151608

2.6.2 Elevator Bucket



Elevator type	Bucket Type	Part number
D133	COL 08-080	130002820024
	JET 08-080	130002820000
D200S	DM 1310 PEHD	130002820019
	JET 13-120 PEHD	130002820012
	JET 14-120	130002820002
D260S	DM 1715 PEHD	130002820020
	JET 20-140 PEHD	130002820016
	JET 20-140	130002820003
D320S	DM 2517 PEHD	130002820021
	JET 23-170 PEHD	130002820017
	JET 24-160	130002820011
D420S	JET 30-190 PEHD	130002820018
	JET 33-180	130002820014
D520S	JET 37-250	130002820010



2.6.3 Bucket Bolt



Type	D133	D200S	D260S
M7x25	130002820006 (2)		
M8x25, ø32		130002820007 (2)	130002820007 (2)
M8x35 Stainless		130002820013 (2)	

()= number of bolts per bucket.

Type	D320S	D420S	D520S
M10x36	130002820008 (2)	130002820008 (3)	130002820008(4)

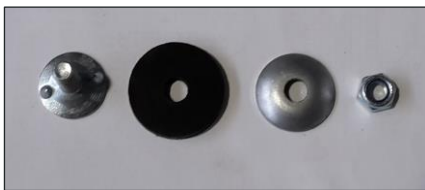
()= number of bolts per bucket.

2.6.4 Bucket Bolt with flat Washer for DM Buckets

Type	D200S	D260S	D320S
M7x30	130002820022 (2)		
M8x30		130002820023 (2)	130002820023 (3)

()= number of bolts per bucket.

2.6.5 Bucket Bolt w. Distance Washer Punched from a Belt



Type	D133	D200S	D260S
M8x30	130002820009 (2)	130002820009 (2)	130002820009 (2)

Type	D320S	D420S	D520S
M10x45	130002820015 (2)	130002820015 (3)	130002820015 (2)

()= number of bolts per bucket

3.0 Technical Specifications

Type	D133		D200S			D260S		
Belt type	EP500/4 1+1GW		EP500/4 1+1GW			EP500/4 1+1GW		
Belt width	100		160			215		
Bucket type	JET 08-080		JET 14-120			JET 20-140		
Bucket vol. litres	0.21		0.87			1.79		
Buckets/m	9	13	6.5	8	10.5	5.5	7	8.5
Max. t/h grain	10.4	15	31.3	38.5	50.6	62.5	79.5	96.5
Max. m ³ /h grain	13.8	20	41.7	51.4	67.4	83.3	106	128
Max. t/h meal	9.1		27.5	33.9		55	70	
Max. m ³ /h meal	15.2		45.9	56.5		91.6	116	
m/s allowable	1.8-2.5		1.8-3.1			1.8-3.1		
m/s optimum	2.1		2.1			2.5		
m/s actual	2.03		2.05			2.35		
kW	1.5 - 2.2		2.2 -7.5			5.5 - 15		
Max. H, max. grain	30		35			35		
Gear i=	10/11.1		11.1/11.7/11.6			11.6/12.1/12.5		
Pulley diam.	303		323			410		
Gear1- kW	NMRW-P075 1.5		S052 1.5 / 2.2			B083 5.5 / 7.5		
Gear-2 kW	S052 1.5 / 2.2		S062 3			B103 11		
Gear-3 kW			S082 4 / 5.5 / 7.5			B123 15		

The larger types are shown on next page.

Design Data for Power Calculation		
Specific weight, grain	t/m ³	0.75
Specific weight, flour	t/m ³	0.6
Filling degree grain	%	100
Filling degree meal	%	125
Power factor grain:	-	1.15
Power factor meal:	-	1.25
Motor	rpm	1400

Power consumption formula: kW = (capacity t/h * (height m + 6) * power factor) / 347



ATTENTION!

When filling in counter flow-wise the capacity is in general reduced by 15-20%.
Filling in counter flow-wise should be avoided when transporting meal.



ATTENTION!

When transporting meal, the number of buckets is reduced to 75% of maximum.

**ATTENTION!**

At elevator heights of more than 20 m, heavy pipes are used up to a height of 20 m.

Type	D320S			D420S			D520S		
Belt type	EP630/5 1+1GW			EP630/5 1+1GW			EP630/3 1+3 OIL-GS		
Belt width	260			370			400		
Bucket type	JET 24-160			JET 33-180			JET 37-250		
Bucket vol. litres	3.18			5.8			10.10		
Buckets/m	4.5	6	7	4	5.5	6.5	3	4	5
Max. t/h grain	92.7	123	144	167	230	272	245	327	409
Max. m ³ /h grain	123	165	192	223	307	363	327	436	545
Max. t/h meal	81.6	109		123	169		180	240	
Max. m ³ /h meal	136	181		246	338		360	480	
m/s allowable	1.8-3.1			1.6-3.3			1.6-3.4		
m/s optimum	2.5								
m/s actual	2.4			2.8			3.0		
kW	11 - 22			11-37			18.5-45		
Max. H, max. grain	40			40			27		
Gear i=	13.8/14.5			18.6/18.7/18			22.7/20.6/21.9		
Pulley diam.	460			700			900		
Gear1- kW	B123 11 - 15			B123 11			B143 18.5-22		
Gear-2 kW	B143 18.5 - 22			B143 15-22			B153 30		
Gear-3 kW				B153 30			B163 37-45		



4.0 Gear and Motor

SEW gear and motor is always a gear motor

4.1 D133

Power	Motovario	El motor	SEW	
kW	Always Atex		Not Atex	Atex
Worm gear				
1.5	130002392079	130002340073	-	-
Parallel shaft gear				
1.5 slow	130002391266	130002320085		
1.5	130002391206		-	-
2.2	130002391154	130002320030	130002391094	130002391122

4.2 D200S

Power	Motovario	El motor	SEW	
kW	Always Atex		Not Atex	Atex
Parallel shaft gear				
2.2 very slow	130002391282	130002320030		
2.2 slow	130002391267			
2.2	130002391154		130002391094	130002391122
2.2 fast	130002391260			
3.0	130002391155	130002320029	130002391095	130002391123
3 fast	130002391260			
4.0	130002391156	130002320093	130002391096	130002391124
4 fast	130002391260			
5.5	130002391157	130002320094	130002391097	130002391125
5.5 fast	130002391261			
7.5	130002391157	130002320095	130002391098	130002391150
7.5 fast	130002391261			



4.3 D260S

Power	Motovario	El motor	SEW	
kW	Always Atex		Not Atex	Atex
Helical Bevel Gear				
5.5 very slow	130002391281	130002320094		
5.5 slow	130002391278			
5.5	130002391162		130002391105	130002391131
5.5 fast	130002391262			
7.5	130002391162	130002320095	130002391106	130002391132
7.5 fast	130002391262			
11.0	130002391163	130002320070	130002391107	130002391133
11 fast	130002391263			
15.0	130002391164	130002320016	130002391108	130002391134
15 fast	130002391263			

4.4 D320S

Power	Motovario	El motor	SEW	
kW	Always Atex		Not Atex	Atex
Helical Bevel Gear				
11 very slow	130002391282	130002320070		
11 slow	130002391279			
11.0	130002391165		130002391109	130002391135
11 fast	130002391264			
15.0	130002391165	130002320016	130002391110	130002391136
15 fast	130002391264			
18.5	130002391205	130002320072	130002391111	130002391137
18.5 fast	130002391265			
22.0	130002391205	130002320017	130002391112	130002391138
22 fast	130002391265			



4.5 D420S

Power	Motovario	El motor	SEW	
kW	Always Atex		Not Atex	Atex
Helical Bevel Gear				
11 slow	130002391277	130002320070		
11.0	130002391211		130002391212	130002391218
15.0	130002391207	130002320016	130002391213	130002391219
18.5	130002391208	130002320072	130002391214	130002391220
22.0	130002391208	130002320017	130002391215	130002391221
30	130002391209	130002340062	130002391216	130002391222
37	130002391210	130002340171	130002391217	130002391223

4.6 D520S

Power	Motovario	El motor	SEW	
kW	Always Atex		Not Atex	Atex
Helical Bevel Gear				
11 slow	130002391277	130002320070		
18.5	130002391225	130002320072	130002391228	130002391233
22.0	130002391225	130002320017	130002391229	130002391234
30	130002391226	130002340062	130002391230	130002391235
37	130002391227	130002340171	130002391231	130002391236
45	130002391227	130002340174	130002391232	130002391237